

# Battery Disconnect Breakers – E3MLB/Molded Case Switches – E3MLS1800

## 1800A Frame

### Ordering Information

#### Complete Assembled Breaker/Switch

A complete factory assembled 1800A disconnect includes the frame, trip unit (if breaker), battery side and load connector bus, all factory assembled and shipped as a complete unit.

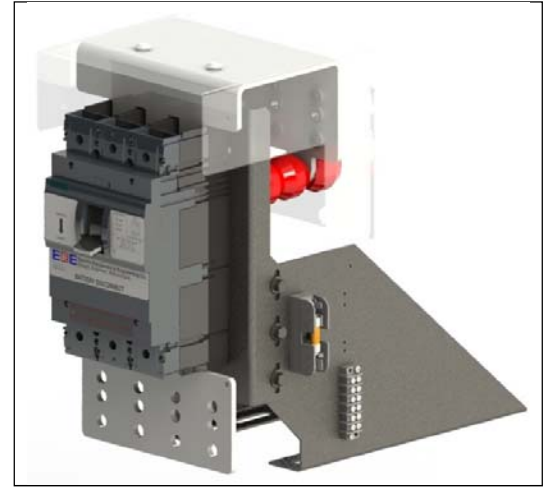
One dry Form-C Aux contact

Battery mounting hardware is included with each disconnect.

For DC applications, use thermal magnetic trip unit only.

Breakers are suitable for reverse feed applications.

This disconnect assumes one side of the battery is grounded. The disconnect will switch the ungrounded polarity.



### Interrupting Ratings

Disconnect Type UL489, 489A	DC Amperes (KA)	
		80
Breaker	50	30
Switch	50	30

### Dimensions, inches – Base Unit

Disconnect Type	Width	Height	Depth
Standard Vertical	9-1/2"	17"	19"

Total height above battery rack dependent on application

### Connectors for 75°C Wire

Bus Construction	Ampere Rating	Wire Landings	No. of cables per connector plate	Part Number
1/2" Copper Tin Plated	1500-1800	2-hole lugs on 1" and 1-3/4" centers ①	4	4249A

① Lugs will terminate with 3/8" bolts

### Shipping Weight, lbs.

Frame	Complete Assembly
1800	75 lbs *

\* Includes typical battery mounting structure

### Thermal-Magnetic – Instantaneous Trip Adjustment Range

Trip Unit Continuous Amp Rating (I <sub>n</sub> )	Instantaneous Overcurrent Setting (I <sub>i</sub> )	
	Min.	Max.
1500	7500	15,000
1800	9000	18,000
Molded Case Switch	—	18,000

Note: Each breaker has 6 trip settings in this range.

DC ratings 0-40% above listed rating.

### Lug Landing Detail

