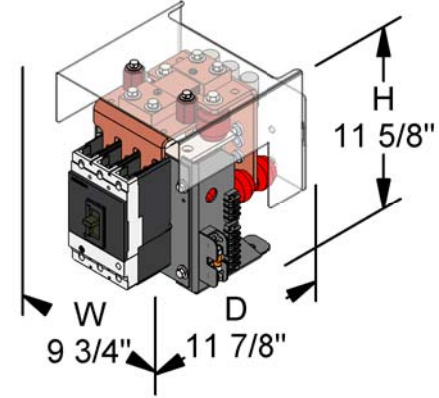
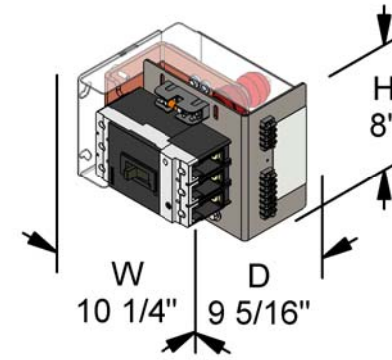


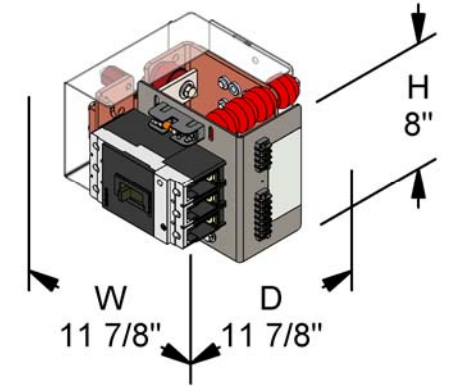
VERTICAL 200-750A NO SHUNT



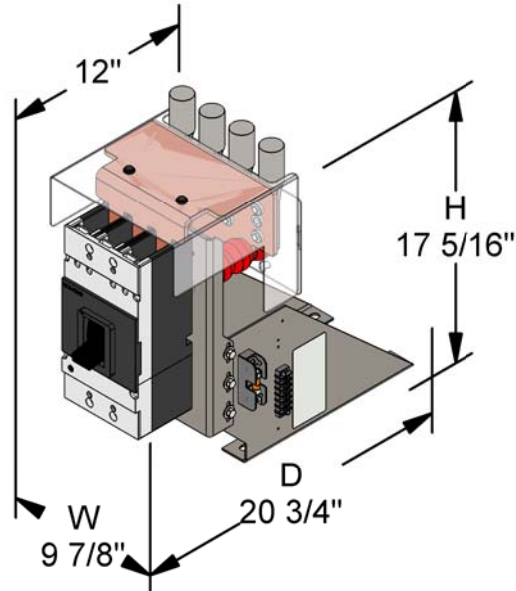
VERTICAL 200-750A WITH SHUNT



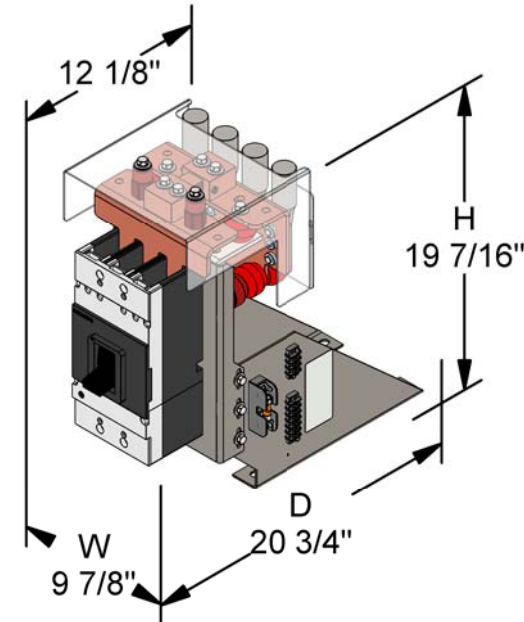
HORIZONTAL 200-750A NO SHUNT



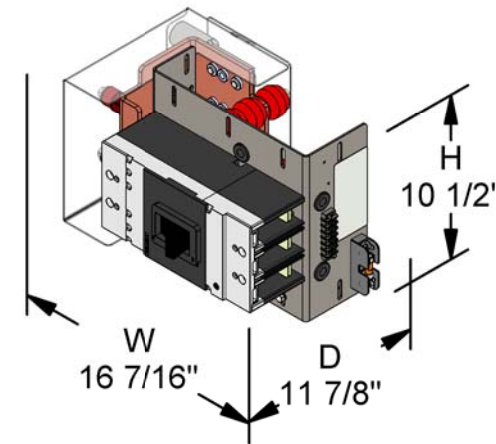
HORIZONTAL 200-750A WITH SHUNT



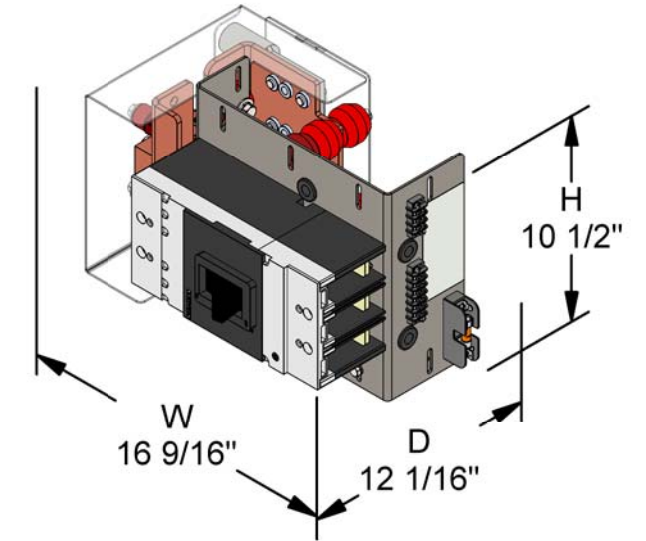
VERTICAL 1200-1800A NO SHUNT



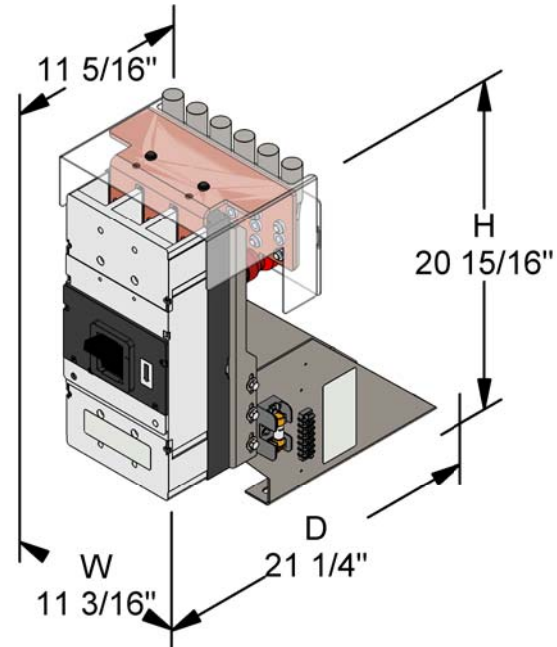
VERTICAL 1200-1800A WITH SHUNT



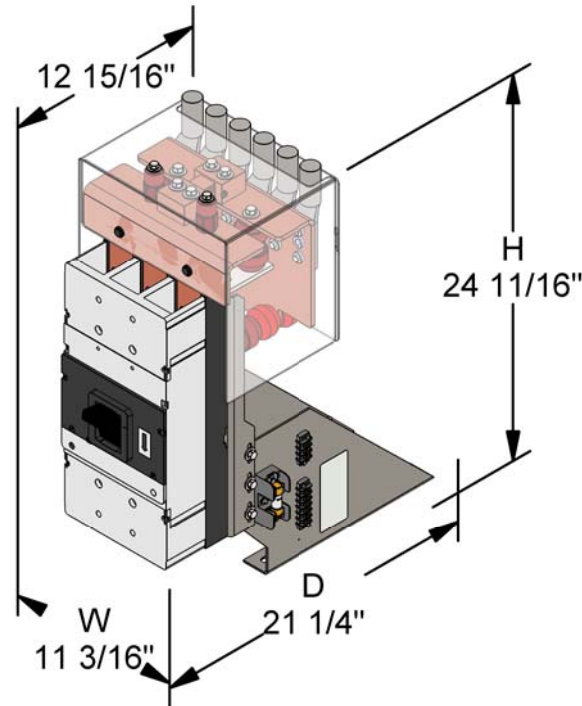
HORIZONTAL 1200-1800A NO SHUNT



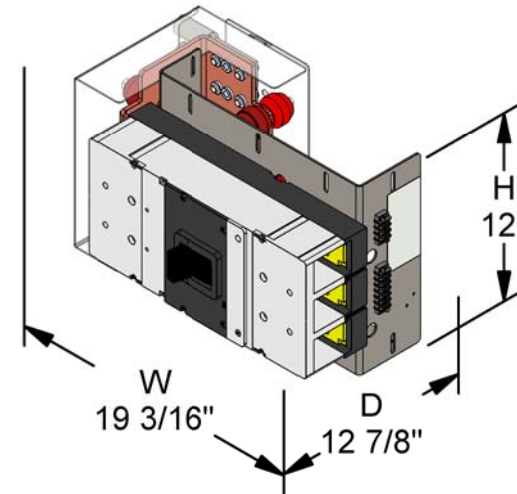
HORIZONTAL 1200-1800A WITH SHUNT



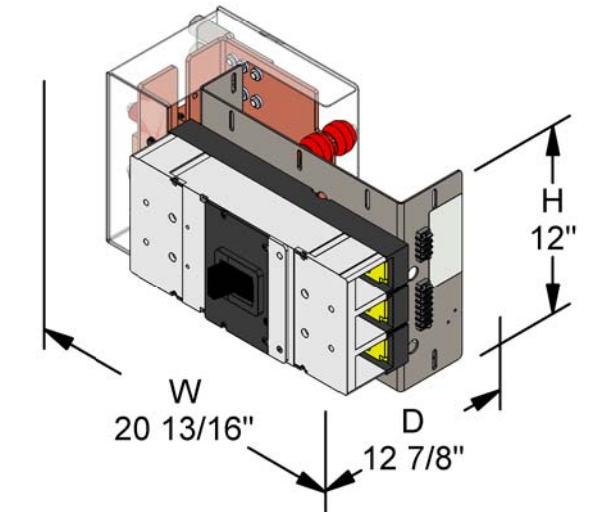
VERTICAL 2400A NO SHUNT



VERTICAL 2400A WITH SHUNT



HORIZONTAL 2400A NO SHUNT



HORIZONTAL 2400A WITH SHUNT

E&E Electric Equipment & Engineering Co.		X	PRELIM.
Design. Engineer. Manufacture.			APPROVED
SCALE: 1:8	PHONE 303-296-1476	DRAWN BY: DWF	
DATE: 6/1/2017	40 W. 49th AVE. DENVER, CO. 80216	ISSUE: 1	
BILL OF MATERIALS OVERALL SWITCH DIMENSIONS			
FOR:		DRAWING NUMBER SWITCH DIMS	