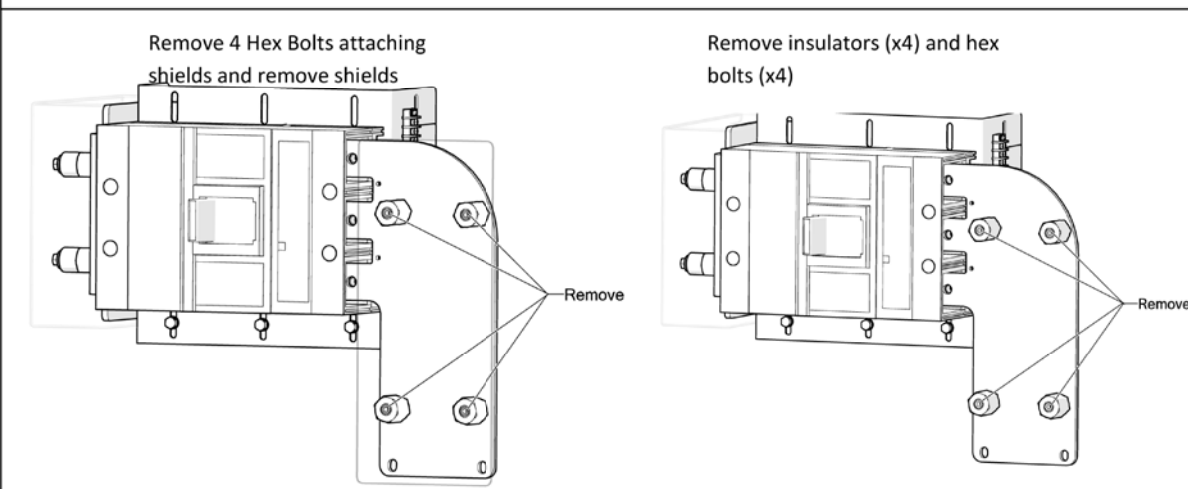
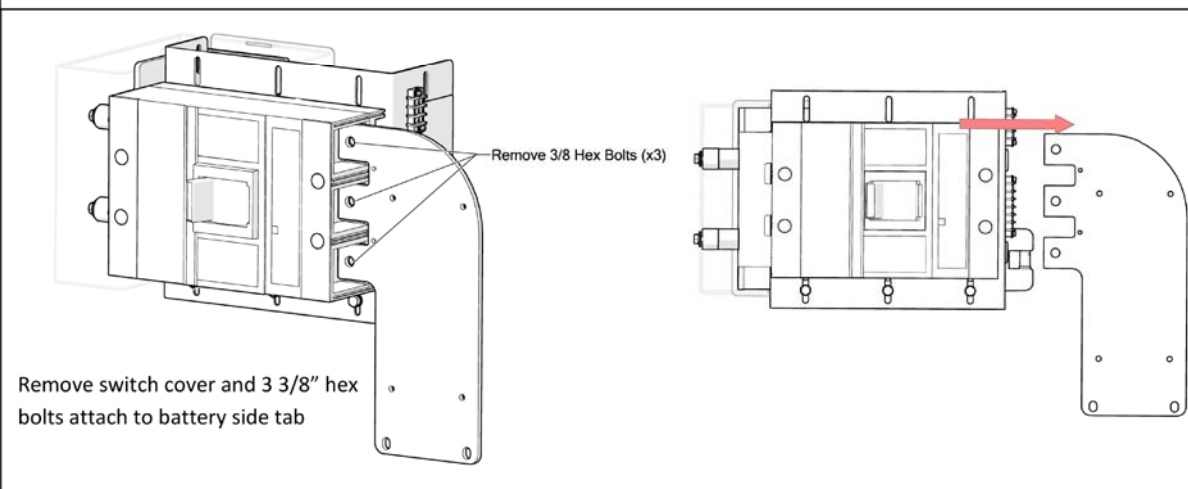


# Instructions For Reversing the Position of a Horizontal Switch

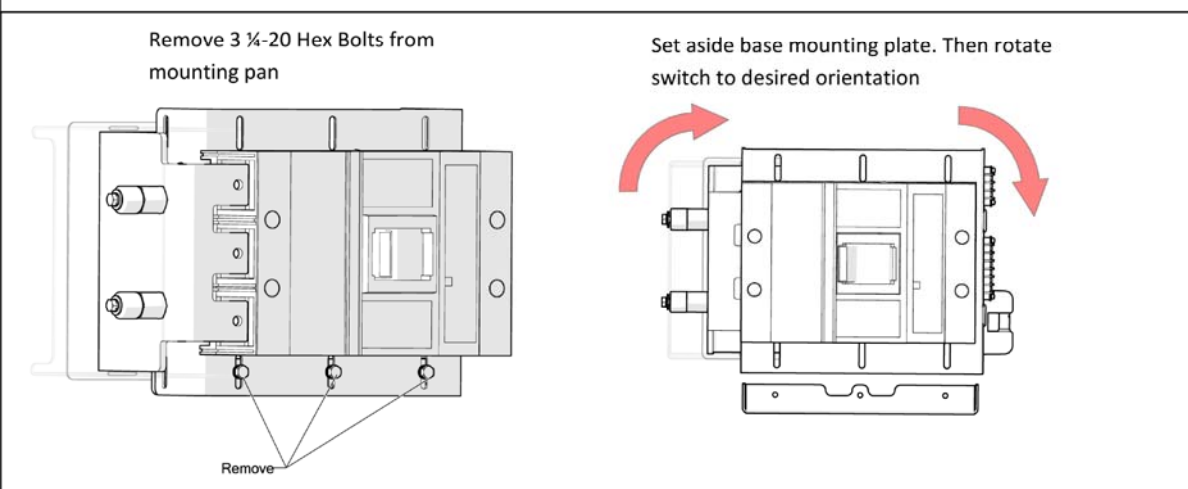
## Step 1 – Removing Shield



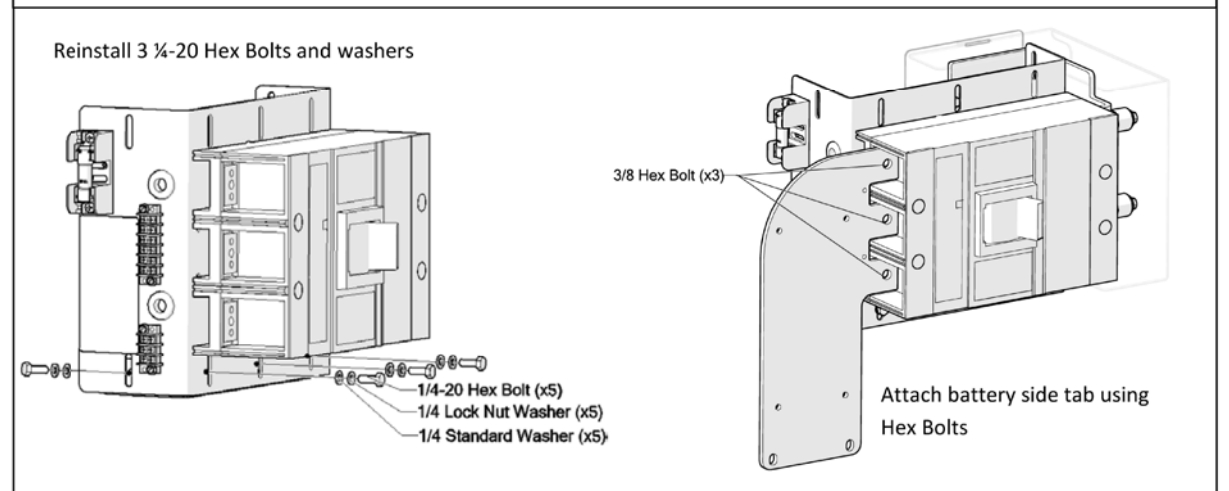
## Step 2 – Removing Battery Side Tab



## Step 3 – Repositioning Switch



## Step 4 – Mounting Switch and Battery Tab Reinstall



## Step 4 – Battery Tab Reinstall cont'd

