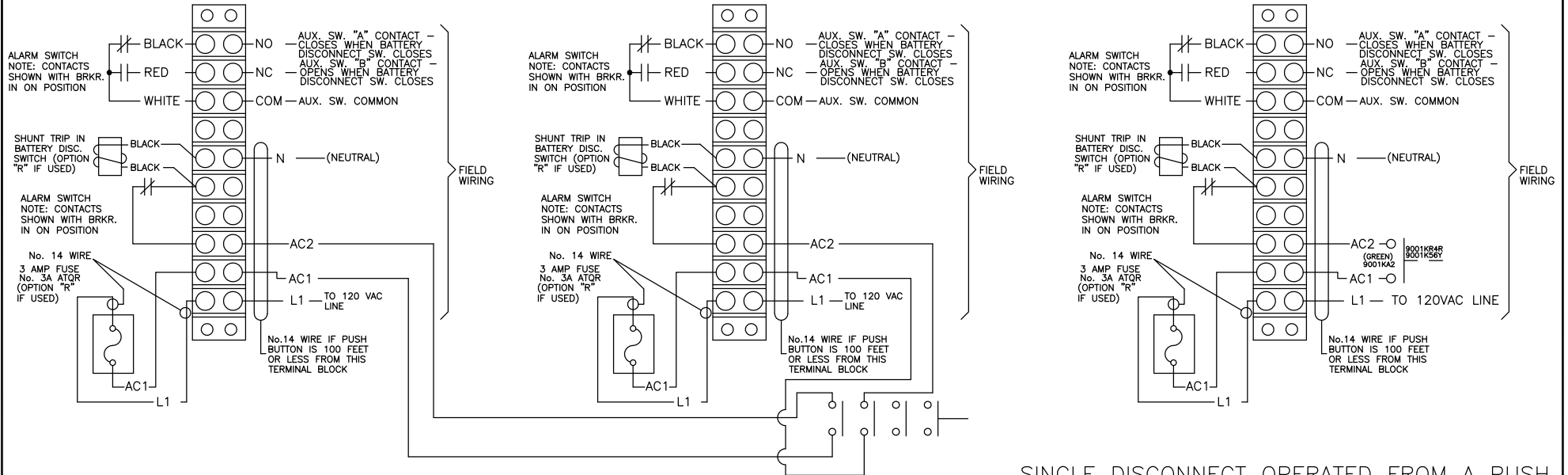
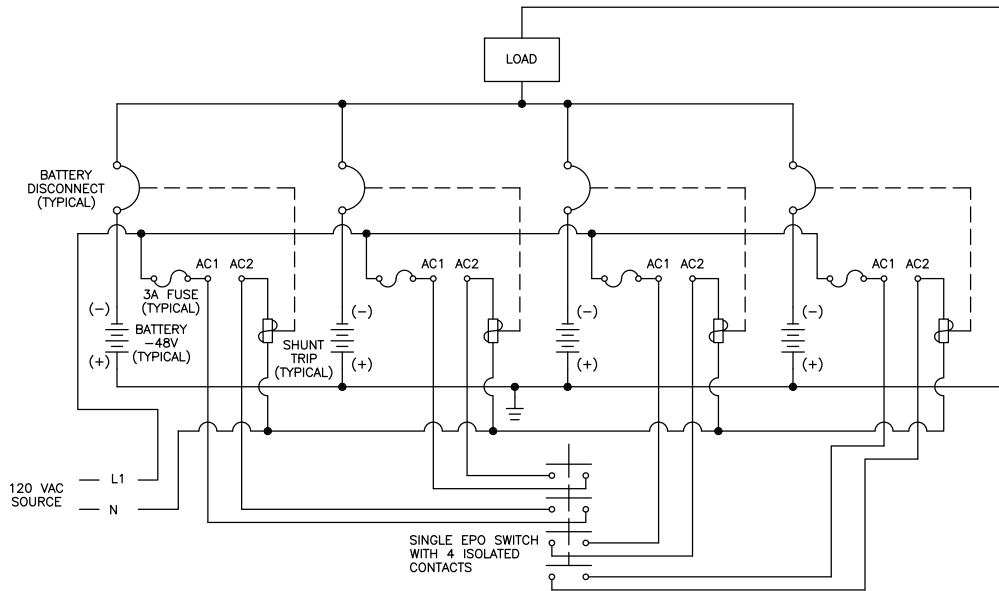


INSTRUCTIONS FOR CONNECTING EITHER A SINGLE OR MULTIPLE SHUNT PUSHBUTTON (EPO) AT A SINGLE SITE



MULTIPLE DISCONNECTS OPERATED FROM A PUSH BUTTON

SINGLE DISCONNECT OPERATED FROM A PUSH BUTTON (ONE DISCONNECT PER SITE)



MULTIPLE DISCONNECTS OPERATED FROM A SINGLE PUSHBUTTON (EPO)

NOTE: USE THIS CONFIGURATION WHEN MULTIPLE DISCONNECTS ARE USED AT A SINGLE LOCATION FAILURE TO CONNECT SHUNT TRIP CIRCUITS IN THIS MANNER MAY RESULT IN MISOPERATION AND/OR DAMAGE.

- ONE PUSHBUTTON OPERATES ALL SHUNT TRIP CIRCUITS.
- EACH SHUNT TRIP CIRCUIT IS POWERED FROM ASSOCIATED BATTERY THROUGH AN ISOLATED CIRCUIT.
- DO NOT PARALLEL AC1 OR AC2 FROM DIFFERENT BATTERIES. EACH CIRCUIT MUST BE ISOLATED.

FOR QJ BREAKER

Jan 19 2012 - 10:54 am		JOB #	
<b>ELECTRIC EQUIPMENT &amp; ENGINEERING CO.</b>			
PRELIM <input checked="" type="checkbox"/>		APPROVED <input type="checkbox"/>	
40 W. 49th AVE.		DENVER, COLO. 80216	
SCALE: NTS	DRAWN BY: GMS		ISSUE: 1
DATE: 03/24/05	D.C. DISCONNECT 120 VAC SHUNT TRIP CONNECTION SCHEMATIC		
FOR: E.E.&E.	DRAWING NUMBER 04-2878C		