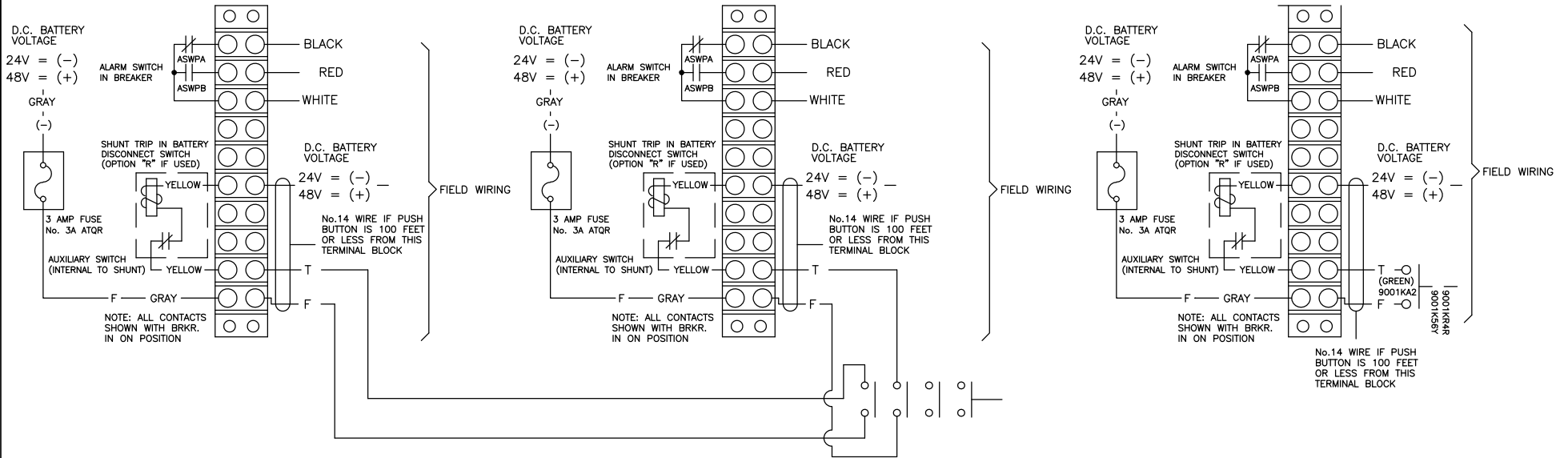
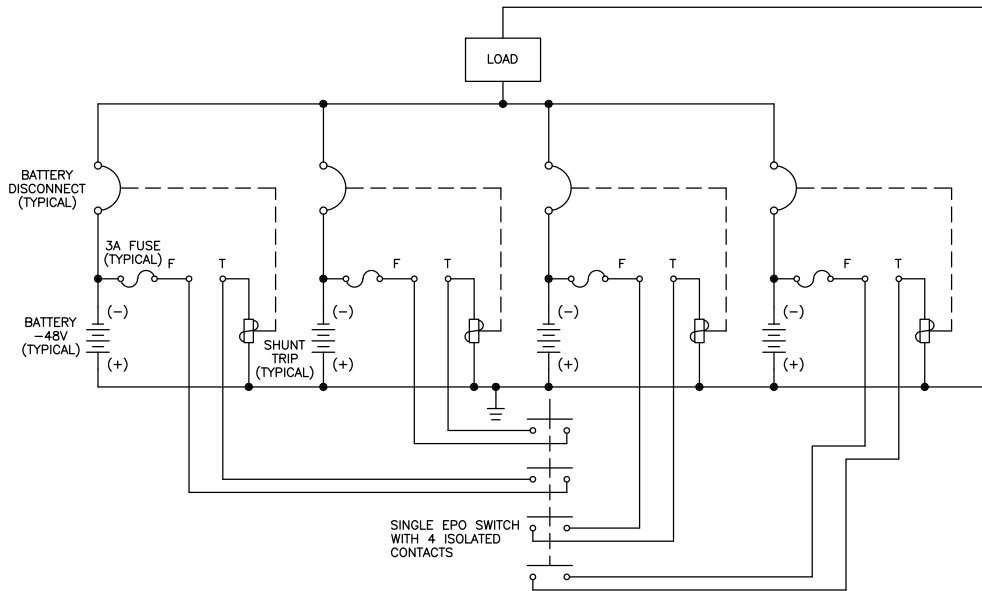


INSTRUCTIONS FOR CONNECTING EITHER A SINGLE OR MULTIPLE SHUNT PUSHBUTTON (EPO) AT A SINGLE SITE



MULTIPLE DISCONNECTS OPERATED FROM A PUSH BUTTON



SINGLE DISCONNECT OPERATED FROM A PUSH BUTTON (ONE DISCONNECT PER SITE)

MULTIPLE DISCONNECTS OPERATED FROM A SINGLE PUSHBUTTON (EPO)

NOTE: USE THIS CONFIGURATION WHEN MULTIPLE DISCONNECTS ARE USED AT A SINGLE LOCATION FAILURE TO CONNECT SHUNT TRIP CIRCUITS IN THIS MANNER MAY RESULT IN MISOPERATION AND/OR DAMAGE.

ONE PUSHBUTTON OPERATES ALL SHUNT TRIP CIRCUITS.  
EACH SHUNT TRIP CIRCUIT IS POWERED FROM ASSOCIATED BATTERY THROUGH AN ISOLATED CIRCUIT.

DO NOT PARALLEL F OR T FROM DIFFERENT BATTERIES.  
EACH CIRCUIT MUST BE ISOLATED.

Jun 14 2010 - 8:19 am JOB #

ELECTRIC EQUIPMENT & ENGINEERING CO.			
PRELIM <input checked="" type="checkbox"/>	40 W. 49th AVE.	PHONE 303-298-1476	DENVER, COLO. 80216
SCALE: NTS			APPROVED
DATE: 06-14-10			DRAWN BY: GMS
			ISSUE: 1
VL - D.C. DISCONNECT SHUNT TRIP CONNECTION SCHEMATIC			
FOR: E.E.&E.			DRAWING NUMBER: 04-2878D